

MONOFLAT LIN-X HINGE LIN-X450, LIN-X600



MonoFlat LIN-X hinge

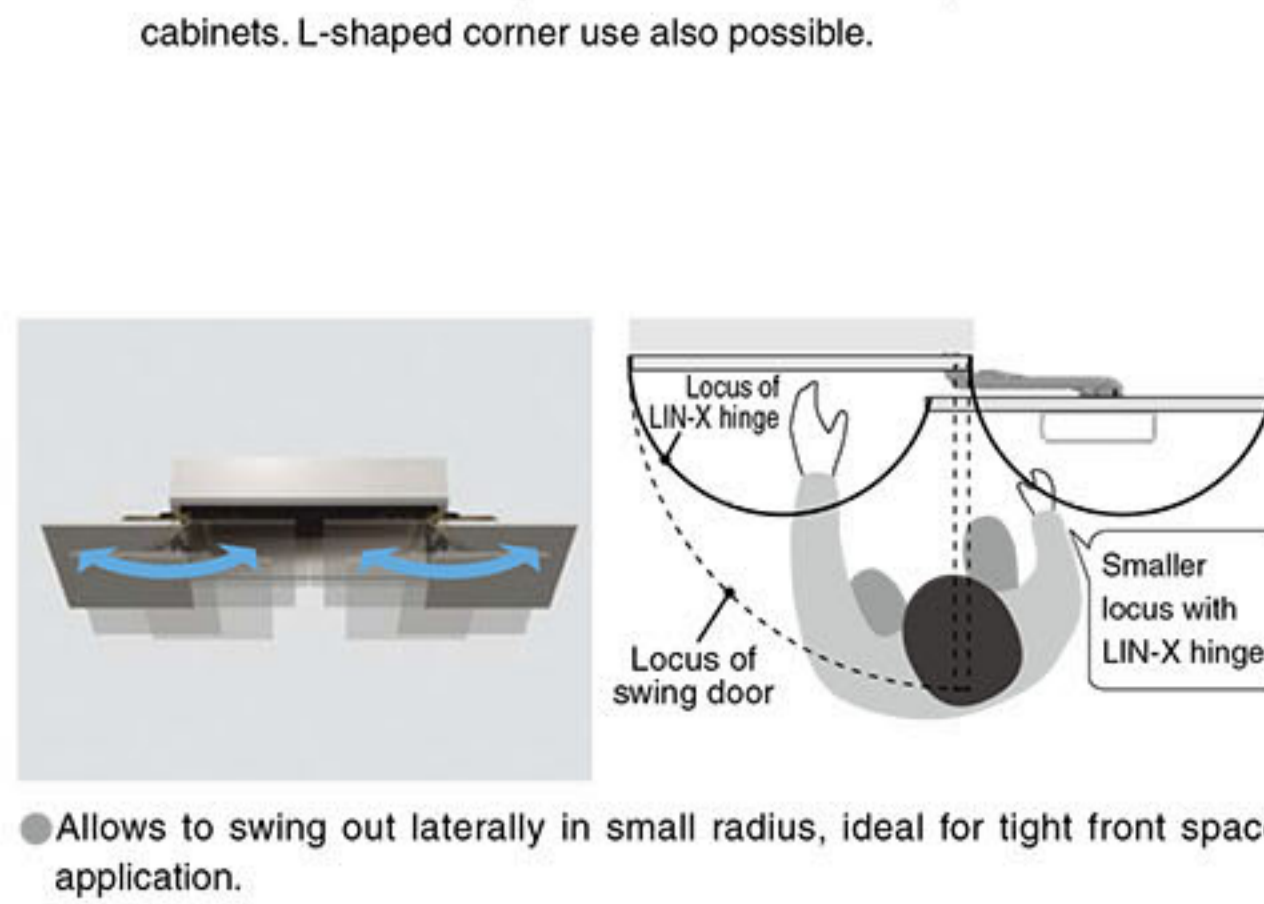


	LIN-X450 1	LIN-X600 2
Door Width	400-500 mm	550-650 mm
Door Height	600-2400 mm	
Door Thickness	15-24 mm	
Door Weight	Max. 17 kg/Door	Max. 24 kg/Door
Overlay	19 mm	
Specification	Single Door (Overlay)	

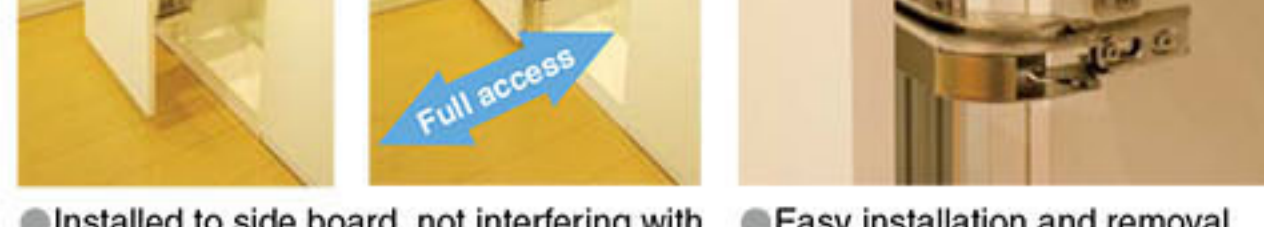


Door does not get in the way even when fully opened

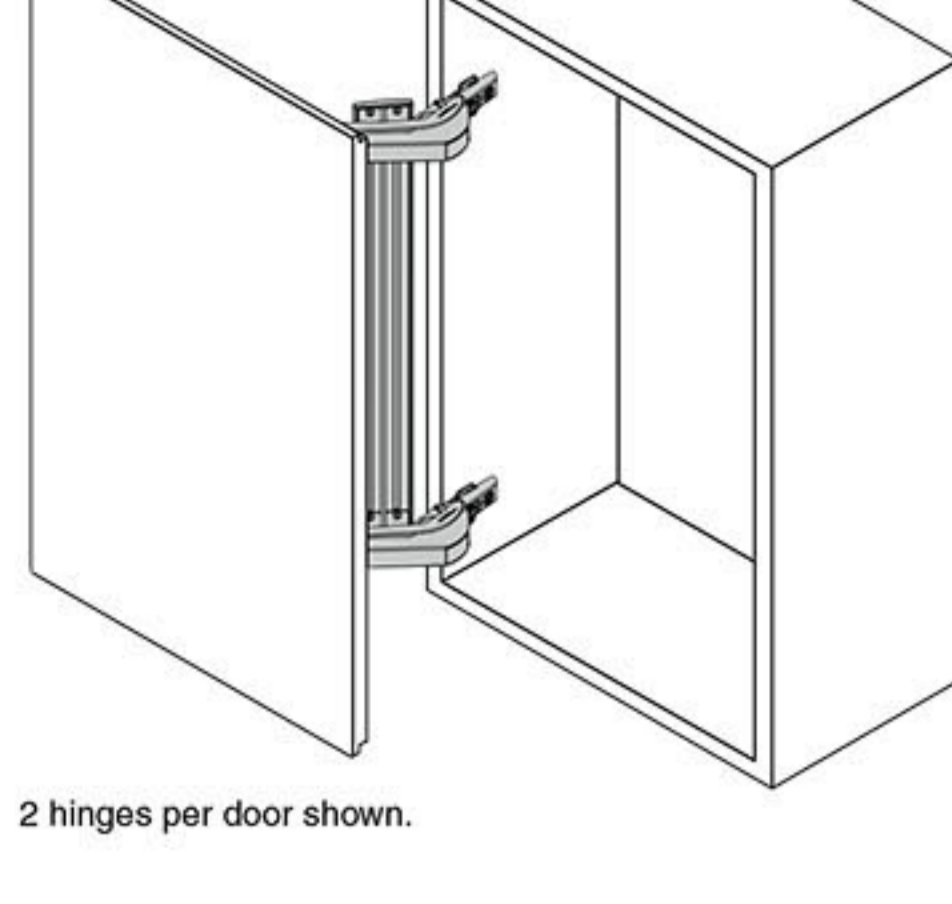
- Door will be flush with left and right doors when closed.
- Door does not get in the way during and after being opened.
  - Swings out laterally in small radius, ideal for tight front space application.
- Full access to cabinet! Maximising inside space.
  - Installed to cabinet side board, maximising space inside of cabinet.
- Smooth operation
  - Door can be opened and closed smoothly from any position.
- Soft close
  - Door closes smoothly and softly with damper.
- Easy installation
  - Arms are clipped or base.
  - 4-way adjustable
  - Adjustable in vertical, horizontal, depth and parallel directions.
  - Various applications
  - Allows to combine single door and double door, suitable for various cabinets. L-shaped corner use also possible.



Allows to swing out laterally in small radius, ideal for tight front space application.



Easy installation and removal.



Refer to 1 : P.329, 2 : P.332



Door can be opened and closed smoothly from any position.

Door does not get in the way when opening and closing.

Suitable for various cabinets.

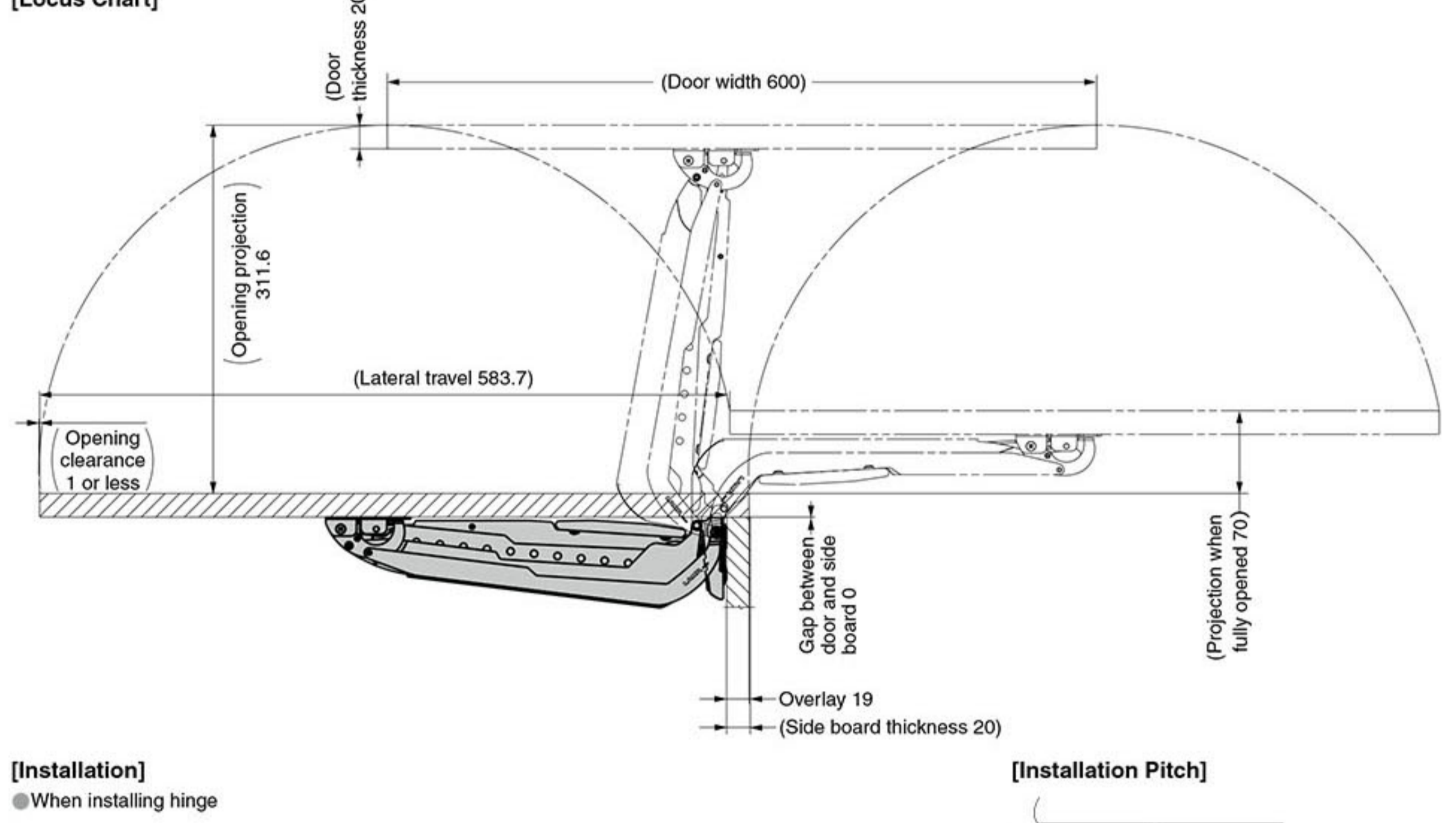
LIN-X600 Installation Example



Door specifications [Width: 550-650 mm] [Thickness: 15-24 mm] [Height: 600-2400 mm] [Weight: Max. 24 kg/door] [Overlay: 19 mm for standard type]

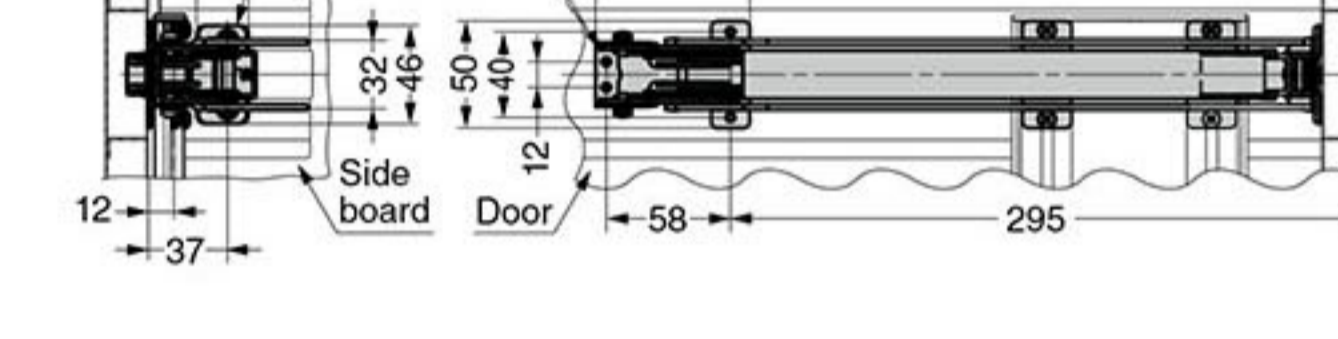
The circled numbers are part numbers. Please check with the parts list 1. For LIN-X450, refer to 2.

[Locus Chart]

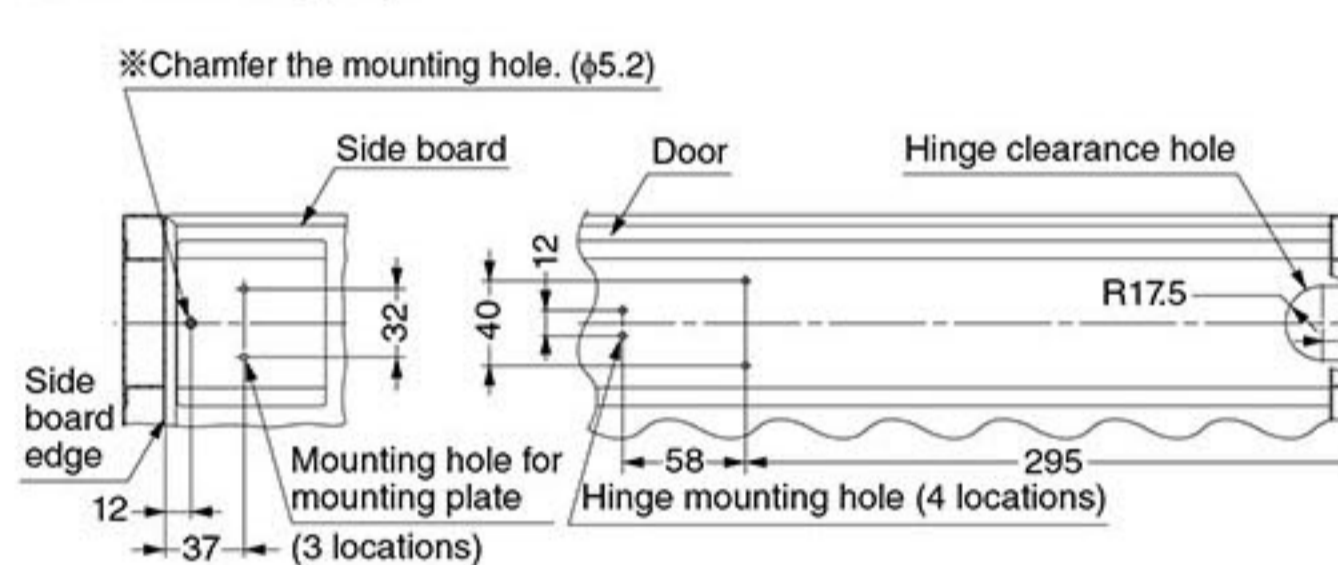


[Installation]

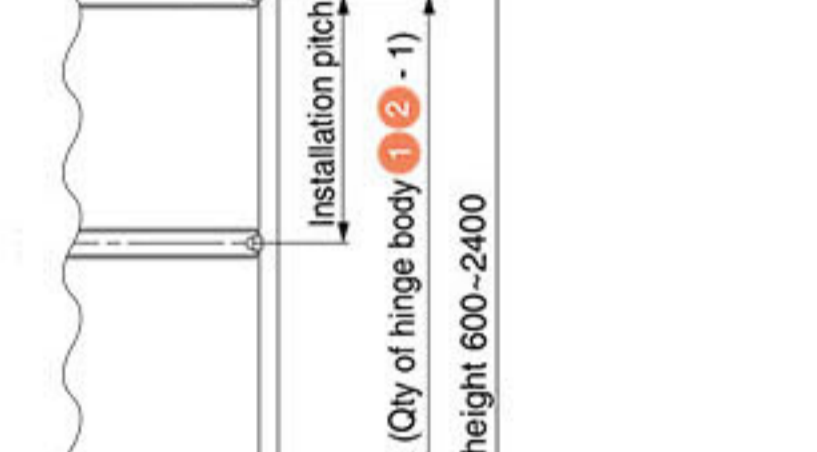
When installing hinge



Before installing hinge



[Installation Pitch]

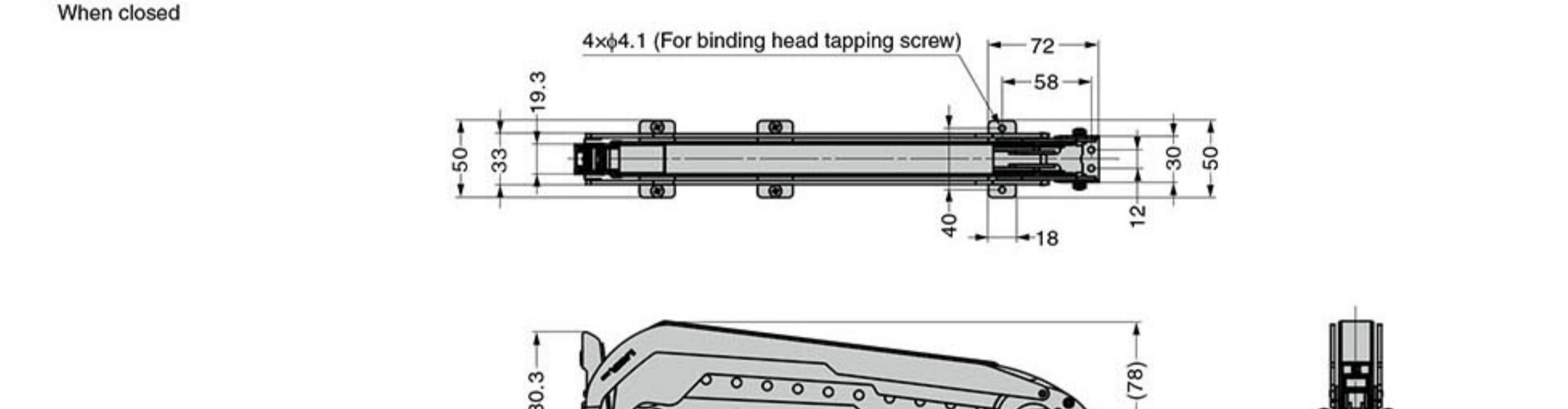


Qty of hinge bodies (2 + 3)	Item Name Suffix of Parts Set					
	09XX	12XX	15XX	18XX	21XX	24XX
	540	840	1140	1440	1740	2040
2 Hinges per Door	490	790	-	-	-	-
3 Hinges per Door	245	395	545	695	845	-
4 Hinges per Door	-	-	363	463	563	663
5 Hinges per Door	-	-	-	347.5	422.5	497.5

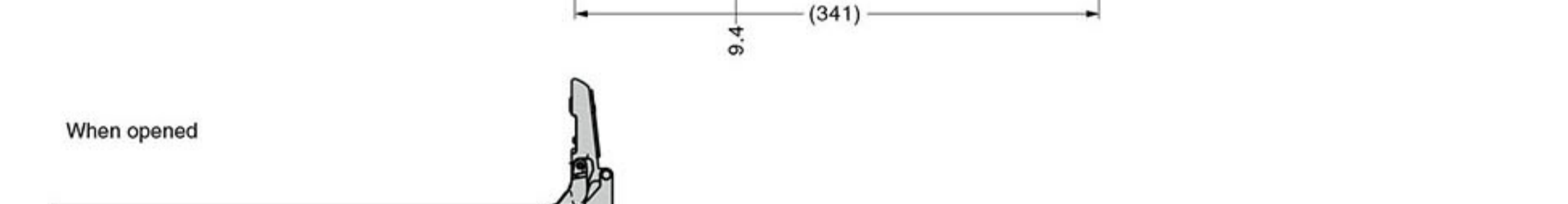
Refer to 1 : P.334, 2 : P.330

[Parts Drawings]

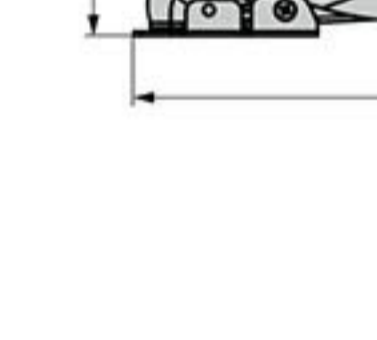
Hinge body When closed



Hinge body When opened



Hole cover



Connecting bar



End cap for connecting bar



Updated 2017.10.27

When Ordering MonoFlat LIN-X Hinge LIN-X600

Necessary Parts..... **Parts Set (Per Door)** + **Mounting Plate**

Standard kit 1 including mounting plates also available, suitable for door height 600-900mm and door weight 9kg or less.

Parts Set (Per Door)

Necessary Parts. Choose based on applicable door height and door weight. (Refer to 2 for details on dimensions and descriptions of parts included in the set.)

Part No.	CAD	Item Code	Item Name	Door Height mm	Door Weight kg	Parts included (For LIN-X600)				Weight (g)
						1 Hinge Set (With Catch & Damper) Qty/set	2 Hinge Set (Without Catch & Damper) Qty/set	3 Connecting Bar Qty/pc	4 End Cap For Connecting Bar Qty/pc	
1	250-017-492	LIN-X600S-0909	600	Max. 9	2	-	-	-	4913	
1	250-017-067	LIN-X600S-0912	900	9.1-12	3	-	-	-	5930	
1	250-017-068	LIN-X600S-1212	901	Max. 12	2	-	-	-	5232	
1	250-017-069	LIN-X600S-1216	1200	12.1-16	2	-	-	-	6270	
1	250-017-070	LIN-X600S-1512	1201-1500	Max. 12	3	-	-	-	6752	
1	250-017-071	LIN-X600S-1516	1201-1500	12.1-16	3	-	-	-	6752	
1	250-017-072	LIN-X600S-1520	1500	16.1-20	3	-	-	-	7748	
1	250-017-073	LIN-X600S-1812	1800	Max. 12	3	1	-	-	7070	
1	250-017-074	LIN-X600S-1816	1800	12.1-16	3	1	-	-	7070	
1	250-017-075	LIN-X600S-1820	1801-1900	16.1-20	3	1	1	2	8066	
1	250-017-493	LIN-X600S-1824	1800	20.1-24	3	2	1	2	9628	
1	250-017-076	LIN-X600S-2112	2100	Max. 12	3	2	1	2	7608	
1	250-017-077	LIN-X600S-2116	2100	12.1-16	3	2	1	2	7608	
1	250-017-078	LIN-X600S-2120	2100	16.1-20	3	2	1	2	8604	
1	250-017-079	LIN-X600S-2124	2100	20.1-24	3	2	1	2	9600	
1	250-017-080	LIN-X600S-2412	2400	Max. 12	3	2	1	2	9066	
1	250-017-081	LIN-X600S-2416	2101-2400	12.1-16	3	2	1	2	9066	
1	250-017-082	LIN-X600S-2420	2400	16.1-20	3	2	1	2	9066	
1	250-017-083	LIN-X600S-2424	2400	20.1-24	3	2	1	2	9066	

1: 4 hinges per door. If installing hinge set (without catch & damper) 2: please use it as the second and third one from the bottom. 3: 5 hinges per door. If installing hinge set (without catch & damper) 4: please use it as the second and third one from the bottom.

[Parts Set Details] Refer to page 2 for the dimensions.

No.	Part Name	Description
1	Hinge Set (With Catch & Damper)	Item Code : 250-016-962 Parts Included in 1 Set Hinge Body (With Catch & Damper) Weight (g) : 1017
	Hole Cover	Material : Steel Finish : Nickel
	Binding Head Tapping Screw	Material : Steel Finish : Nickel

No.	Part Name	Description
2	Hinge Set (Without Catch & Damper)	Item Code : 250-016-963 Parts Included in 1 Set Hinge Body (Without Catch & Damper) Weight (g) : 996
	Hole Cover	Material : Steel Finish : Nickel
	Binding Head Tapping Screw	Material : Steel Finish : Nickel

Refer to 1 : P.335, 2 : P.332-333

No.	Part Name	Description
3	Connecting Bar	Item Code : 250-016-964 Item Name : LIN-X60-L540 Weight (g) : 860 Item Code : 250-016-965 Item Name : LIN-X60-L840 Weight (g) : 1200 Item Code : 250-016-966 Item Name : LIN-X60-L1140 Weight (g) : 1682 Item Code : 250-016-967 Item Name : LIN-X60-L1440 Weight (g) : 2000 Item Code : 250-016-968 Item Name : LIN-X60-L1740 Weight (g) : 2538 Item Code : 250-016-969 Item Name : LIN-X60-L2040 Weight (g) : 3000 Material : Aluminium Alloy Finish : Anodised

No.	Part Name	Description
4	End Cap for Connecting Bar	Item Code : 250-016-970 Item Name : LIN-X60C Weight (g) : 4 Material : POM Colour : Grey

Mounting Plate

Necessary Parts. Mounting Plate 5 : Same qty as hinge (1 + 2) is necessary. Countersunk Head Tapping Screw 6 : 3 pcs are necessary per 1 mounting plate.

No.	Part No.	CAD	Item Code	Dimensions
5	160-070-041		Mounting Plate	Item Name : 230-P4W-32T Weight (g) : 26

Material : Steel  
Finish : Nickel

No.	Part No.	CAD	Item Code	Dimensions
6	160-070-030		Raised Countersunk Head Tapping Screw	Item Name : TAP3515NI Weight (g) : 1

Material : Steel  
Finish : Nickel

The circled numbers are part numbers. Please check with the parts list 1. For LIN-X450, refer to 2.

4 hinges per door shown.



Refer to 1 : P.334-335, 2 : P.330

STANDARD KIT With Mounting Plate

- [Parts Included]
- Hinge body ..... 2 pcs
  - End cap for connecting bar ..... 2 pcs
  - Mounting plate ..... 2 pcs
  - Hole cover ..... 2 pcs
  - Connecting bar ..... 1 pc
  - Raised countersunk head tapping screw 3.5x15 ..... 6 pcs
  - Binding head tapping screw 3.5x15 ..... 8 pcs

- Includes parts set and mounting plates.
- Suitable for door size (width 550-650mm, height 600-900mm, thickness 15-24mm) and door weight 9kg or less.

Part No.	CAD	Item Code	Item Name	Overlay mm	Door Height mm	Door Weight kg	Mounting Plate (Included)	Weight (g)	Box (sets)	Carton (sets)
1	-	250-017-590	LIN-X600	19	600-900	Max. 9	230-P4W-32T	3210	1	4

Updated 2017.10.27

Mounting Plate

Necessary Parts. Mounting Plate 5 : Same qty as hinge (1 + 2) is necessary. Countersunk Head Tapping Screw 6 : 3 pcs are necessary per 1 mounting plate.

No.	Part No.	CAD	Item Code	Dimensions
5	160-070-041		Mounting Plate	Item Name : 230-P4W-32T Weight (g) : 26

Material : Steel  
Finish : Nickel

No.	Part No.	CAD	Item Code	Dimensions
6	160-070-030		Raised Countersunk Head Tapping Screw	Item Name : TAP3515NI Weight (g) : 1

Material : Steel  
Finish : Nickel

The circled numbers are part numbers. Please check with the parts list 1. For LIN-X450, refer to 2.

4 hinges per door shown.



Refer to 1 : P.334-335, 2 : P.330

STANDARD KIT With Mounting Plate

- [Parts Included]
- Hinge body ..... 2 pcs
  - End cap for connecting bar ..... 2 pcs
  - Mounting plate ..... 2 pcs
  - Hole cover ..... 2 pcs
  - Connecting bar ..... 1 pc
  - Raised countersunk head tapping screw 3.5x15 ..... 6 pcs
  - Binding head tapping screw 3.5x15 ..... 8 pcs

- Includes parts set and mounting plates.
- Suitable for door size (width 550-650mm, height 600-900mm, thickness 15-24mm) and door weight 9kg or less.

Part No.	CAD	Item Code	Item Name	Overlay mm	Door Height mm	Door Weight kg	Mounting Plate (Included)	Weight (g)	Box (sets)	Carton (sets)
1	-	250-017-590	LIN-X600	19	600-900	Max. 9	230-P4W-32T	3210	1	4

Updated 2017.10.27